

1

2

3

4

A

A

B

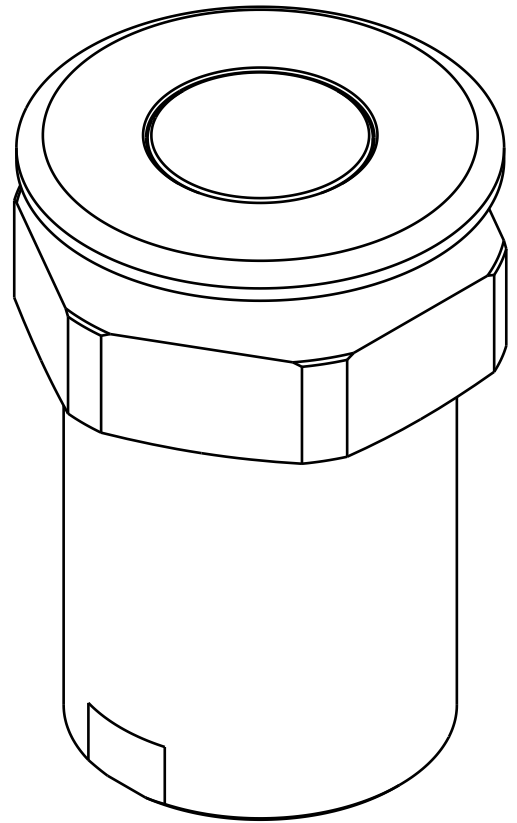
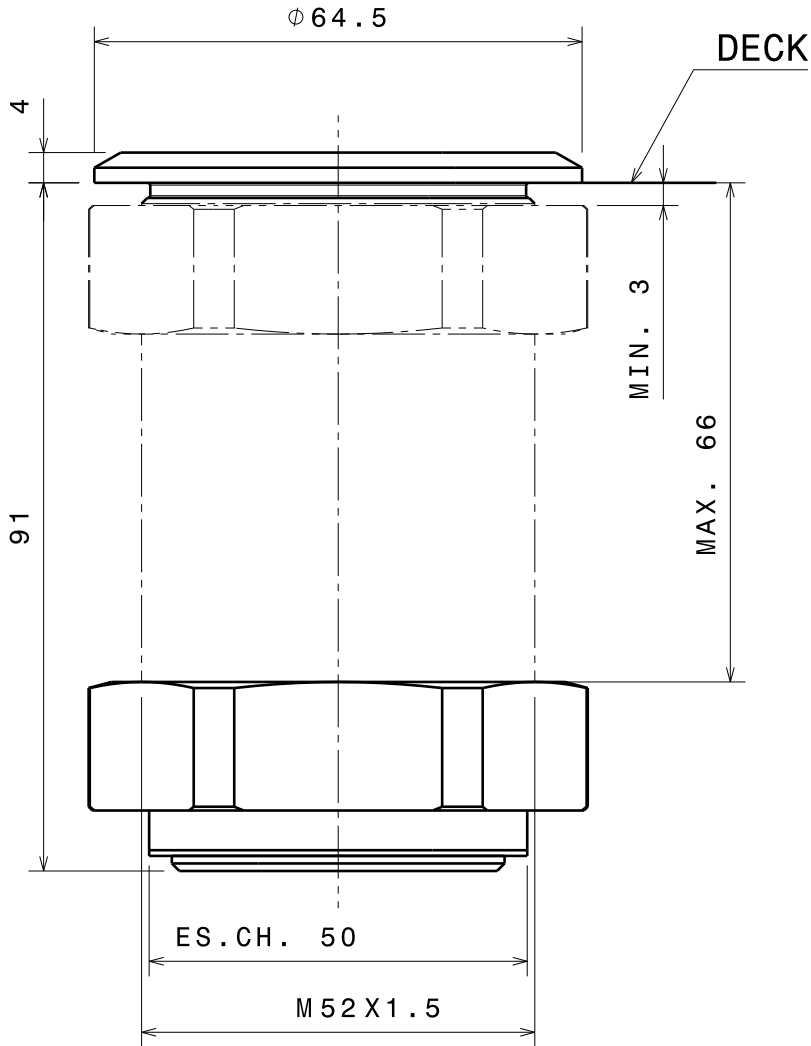
B

C

C

D

D



3D FILE
Q5201

REV.
0

MATERIAL
AISI 316L

QTY.
1

WEIGHT [Kg]
-

SCALE
1:1

SURFACE TREATMENT / FINISHING
VEDI SPECIAL NOTES

COD. ARTICOLO
Q5201

SHEET
1/1



Via San Leo 3
61122 Pesaro (PU)
Tel. +39 0721 402287
E-mail info@i-carbon.it
Web www.i-carbon.it

DATE
08/07/2024

FORMAT
A4

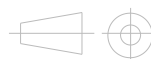
COSTUMER
-

TOLLERANZE PER MISURE SENZA INDICAZIONI

da	1	20	100	300	1°
a	20	100	300	-	360°
±	0.02	0.05	0.1	0.3	20'

THIS DRAWING AND THE CONTAINED INFORMATION IN IT ARE PROPERTY OF
AMS AND/OR THE CUSTOMER, WITH PROHIBITION TO REPRODUCE OR TO
DISCLOSE THEM WITHOUT A WRITTEN CONSENT

PROJECTION
ISO 128



1

mm 0

10

20

30

40

50

60

70

80

90

100

E

E