

1

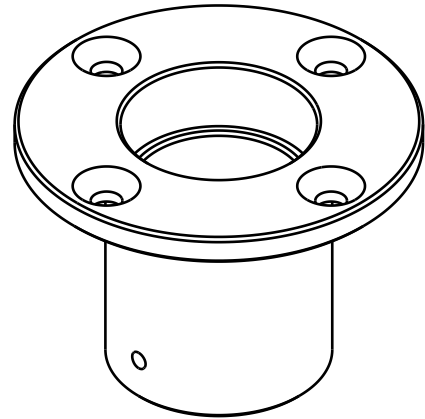
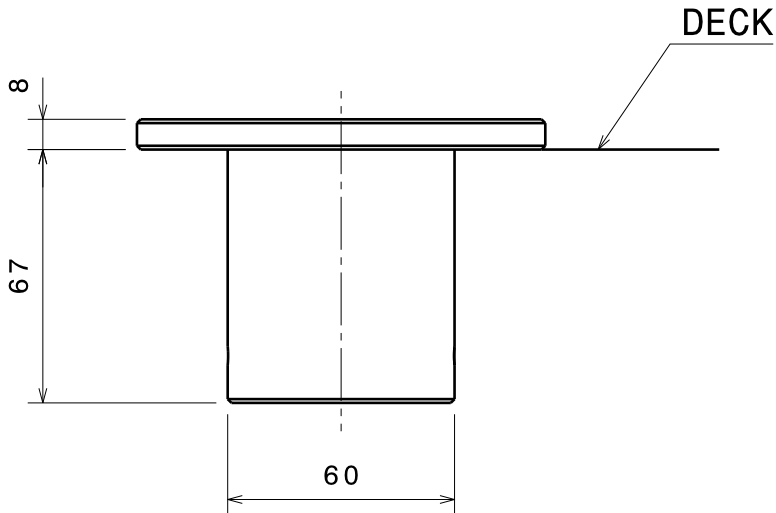
2

3

4

A

A

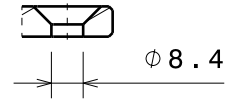
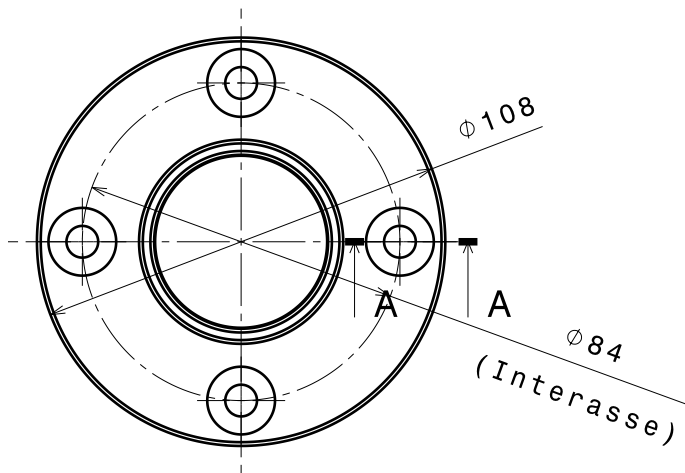


B

B

C

C



Vista in sezione A-A
Scala: 1:2

D

D

3D FILE
SB4500

REV.
0

MATERIAL
AISI 316L

QTY.
1

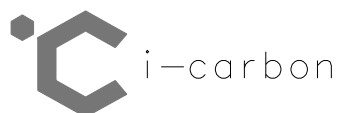
WEIGHT [Kg]
-

SCALE
1:2

SURFACE TREATMENT / FINISHING
VEDI SPECIAL NOTES

COD. ARTICOLO
SB4500

SHEET
1/1



Via San Leo 3
61122 Pesaro (PU)
Tel. +39 0721 402287
E-mail info@i-carbon.it
Web www.i-carbon.it

DATE
01/03/2024

FORMAT
A4

COSTUMER
-

TOLLERANZE PER MISURE SENZA INDICAZIONI

da	1	20	100	300	1°
a	20	100	300	-	360°
±	0.02	0.05	0.1	0.3	20'

THIS DRAWING AND THE CONTAINED INFORMATION IN IT ARE PROPERTY OF
AMS AND/OR THE CUSTOMER, WITH PROHIBITION TO REPRODUCE OR TO
DISCLOSE THEM WITHOUT A WRITTEN CONSENT

PROJECTION
ISO 128



1

mm 0

10

20

30

40

50

60

70

80

90

100

E

E