

1 2 3 4

A

B

C

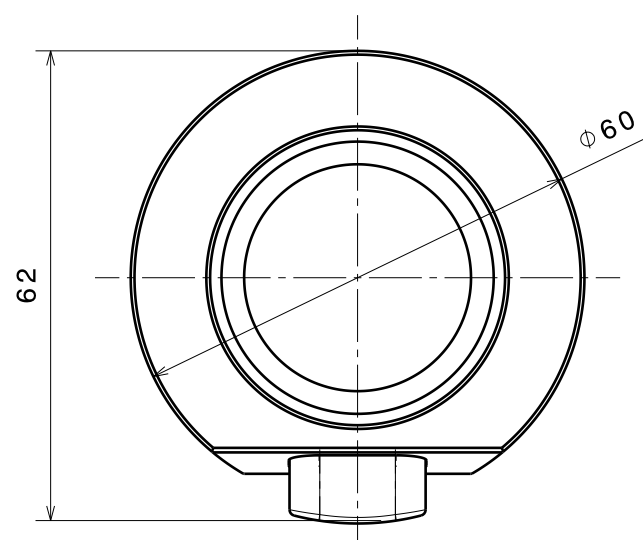
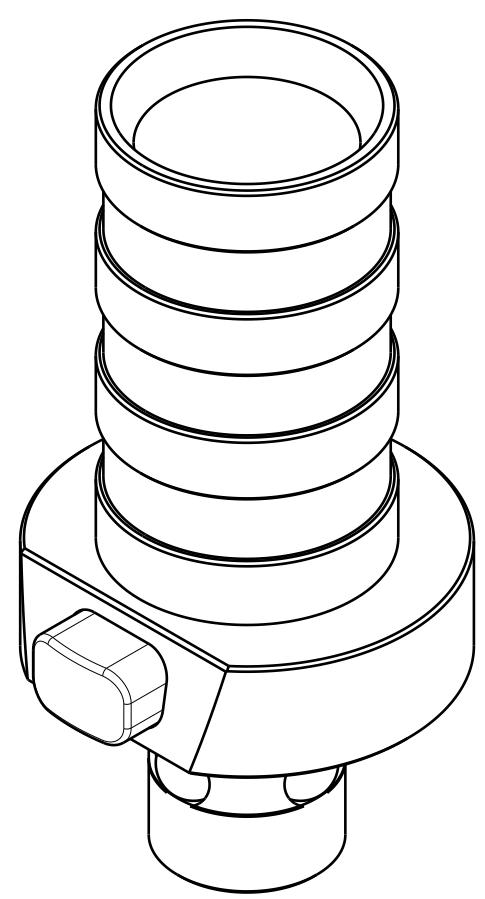
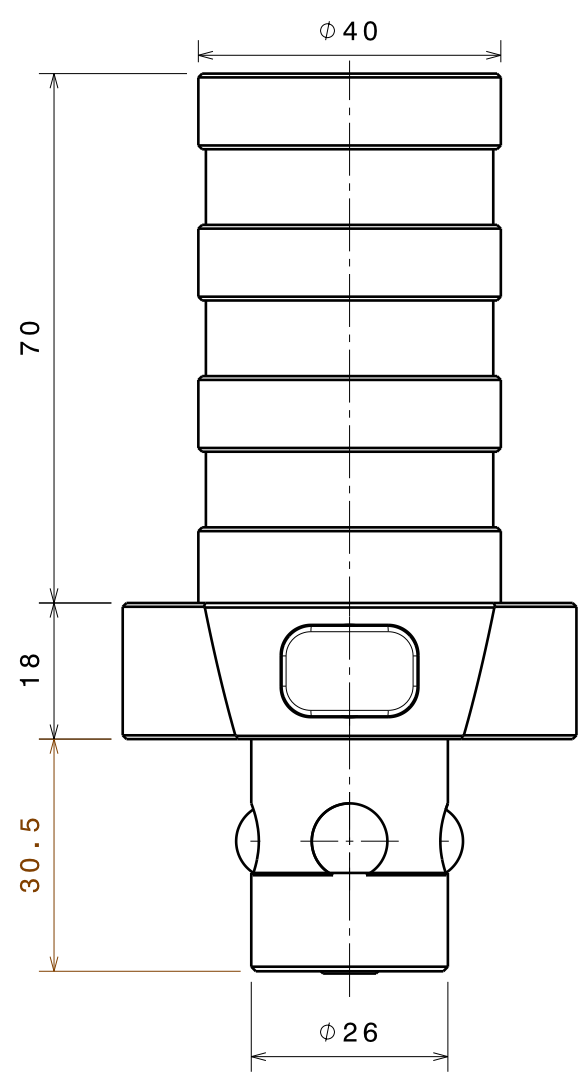
D

A

B

C

D



3D FILE Q4540 REV. 0

MATERIAL AISI 316L QTY. 1 WEIGHT [Kg] - SCALE 1:1

SURFACE TREATMENT / FINISHING VEDI SPECIAL NOTES COD. ARTICOLO Q4540 SHEET 1/1

Via San Leo 3
61122 Pesaro (PU)
Tel. +39 0721 402287
E-mail info@i-carbon.it
Web www.i-carbon.it DATE 11/03/2024 FORMAT A4

CUSTOMER - **TOLLERANZE PER MISURE SENZA INDICAZIONI**

da	1	20	100	300	1°
a	20	100	300	-	360°
±	0.02	0.05	0.1	0.3	20'

THIS DRAWING AND THE CONTAINED INFORMATION IN IT ARE PROPERTY OF AMS AND/OR THE CUSTOMER, WITH PROHIBITION TO REPRODUCE OR TO DISCLOSE THEM WITHOUT A WRITTEN CONSENT **PROJECTION ISO 128**