

1

2

3

4

A

A

B

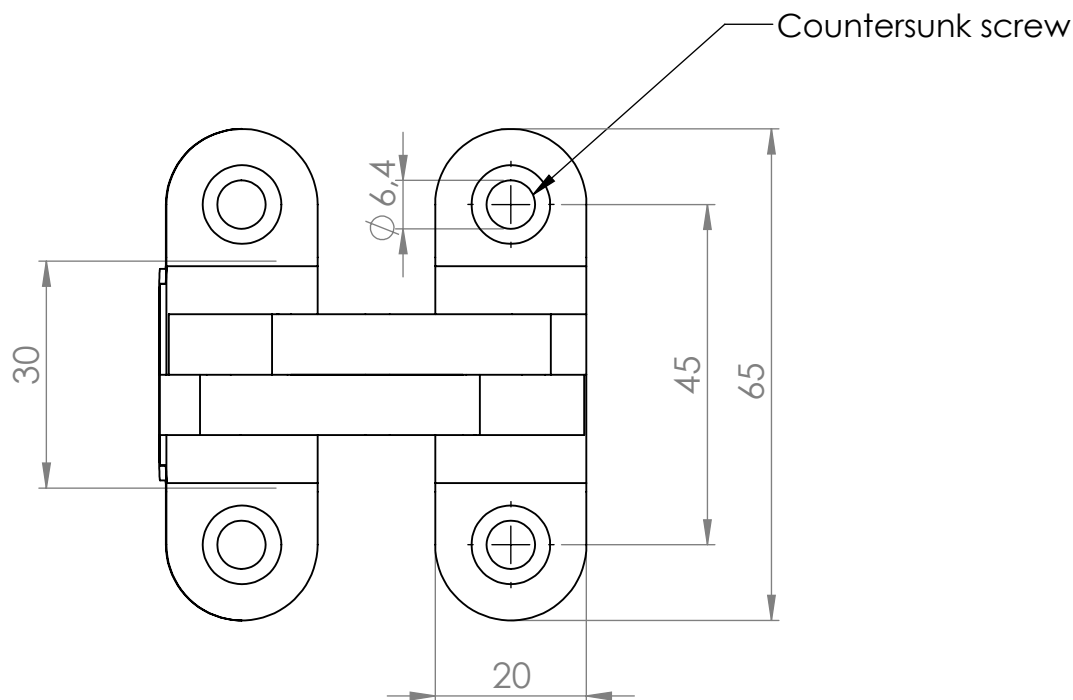
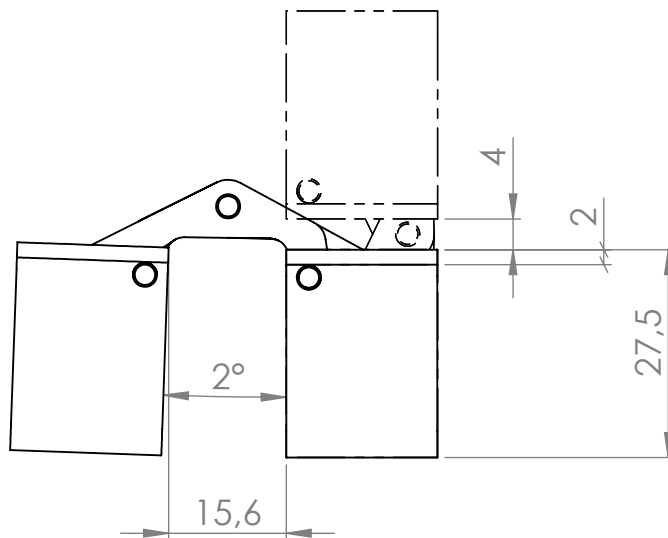
B

C

C

D

D



3D FILE
YLSCIP20

REV.
A

MATERIAL
AISI316L

QTY.
1

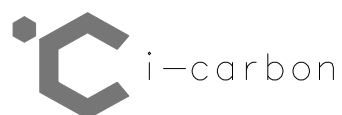
WEIGHT [g]
127

SCALE
1:1

SURFACE TREATMENT / FINISHING
VEDI SPECIAL NOTES

COD. ARTICOLO
HC-Y20i

SHEET
1/1



Via San Leo 3
61122 Pesaro (PU)
Tel. +39 0721 402287
E-mail info@i-carbon.it
Web www.i-carbon.it

DATE
15/11/2021

FORMAT
A4

COSTUMER

TOLLERANZE PER MISURE SENZA INDICAZIONI

da	1	20	100	300	1°
a	20	100	300	-	360°
±	0.02	0.05	0.1	0.3	20'

This desing is a private property of YLS srl and can't be reproduced or disclosed without its authorization.

PROJECTION
ISO 128



1

mm 0 10 20 30 40 50 60 70 80 90 100